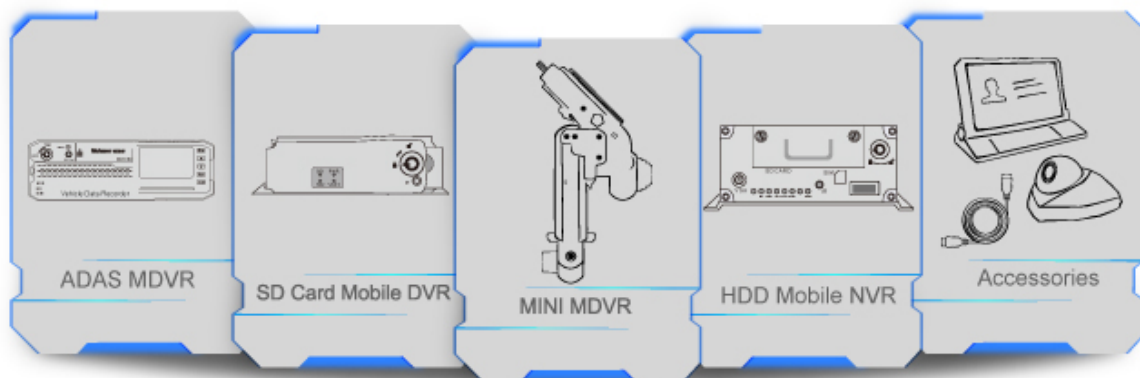




Richmor

Shenzhen Richmor Technology Development CO.,Ltd is a global and professional MDVR/MNVR manufacturer and solution provider specializing in vehicle monitoring system design and deployment for over 10 years



Richmor High Quality 4CH 720P AHD HD Dual SD Card Vehicle Mobile DVR

PRODUCT DESCRIPTION

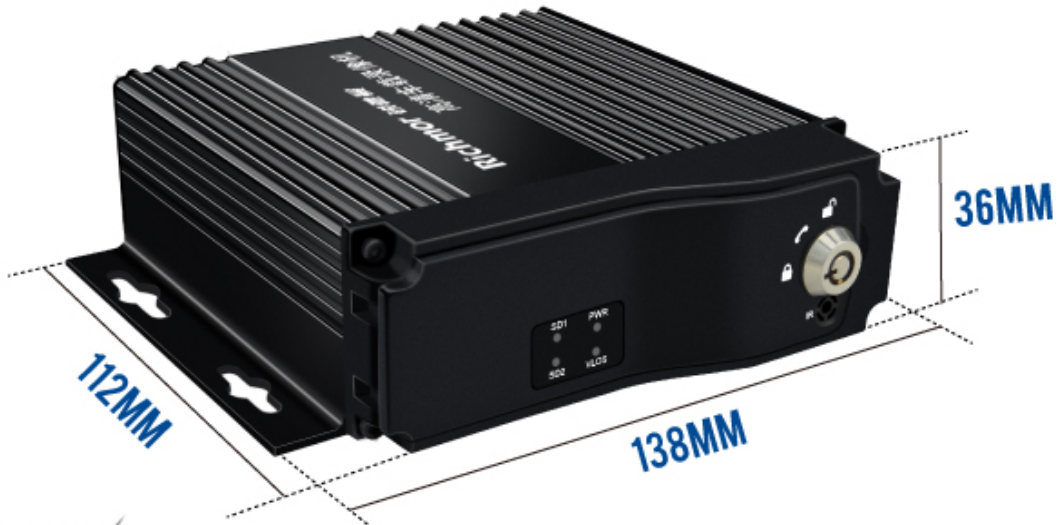
Resolution	4CH 720P AHD Full real-time recording
Moduel	G-Sensor built in, GPS /3G/4G /WIFI (5.8G or 2.4G)Optional
Storage	Support 2X SD cards storage, up to 128GB for each
Alarm I/O	4CH Alarm input,1CH Alarm output
ACC Delay	10 seconds delay pow-off for data protection
Voltage	8V-36V Wide range voltage power supply

PRODUCT SHOW

Product's Front Side

Display

Military Design/ Good Stability/Durable /Shockproof & Earthquake Resistant



Product's Back Side

Display

Wide Voltage Design / Data Comprehensive Protection / High Security

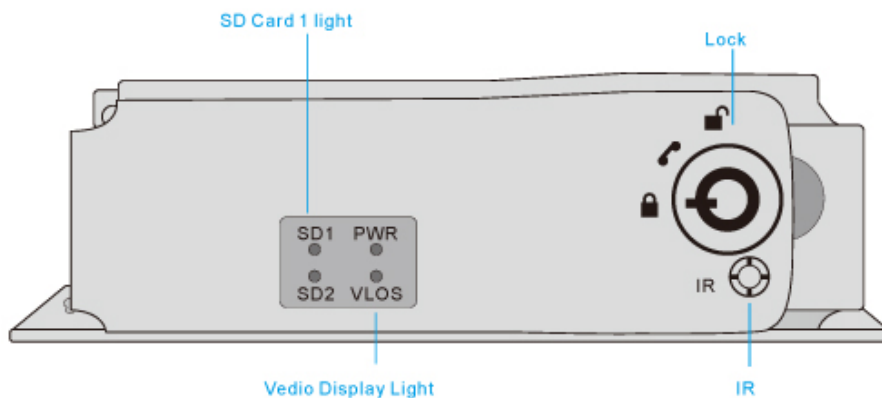


STRUCTURE

Front Panel

Details

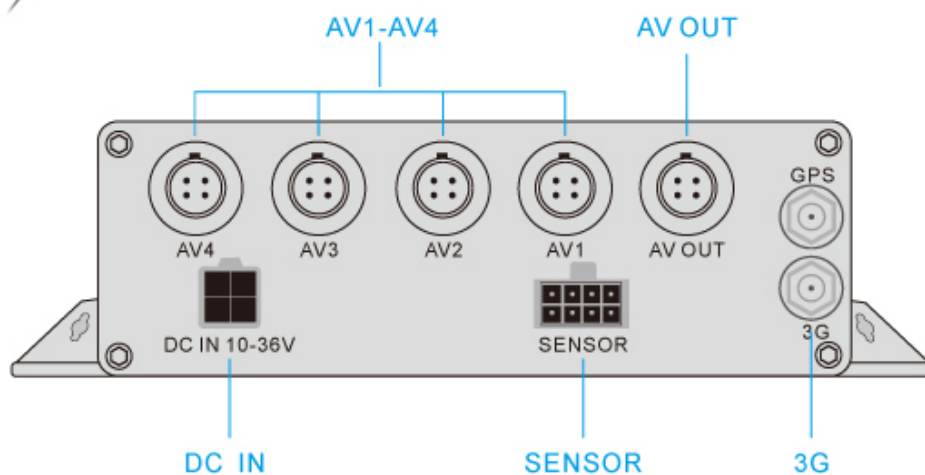
Professional Security Device/Powerful Functions/ User-friendly Button Operation/ Easy to Use



Back Panel

Details

Aviation AV&DV Input / Steady Port/ Strong Shockproof Ability/ Simple & Convenient



DETAILED SPECS

Detailed specification was listed as follows for checking, please contact us we'll do our best to cooperate.

Item	Parameter
OS	Linux
Language	Chinese/English/Others(can be customized)
Video Compression	H.264
Operation Interface	OSD menu

Video Record System	Video Input	Support 4 channels Full real-time AHD 720P
	Video Output	1 channel composite video output
	Display	1/2/4 channels full screen
	Signal system	PAL/NTSC (PAL @100Frame, NTSC@120 Frame)
	Resolution	Support 4 channels Full real-time AHD 720P
	Record Format	Synchronized A/V recording
Audio	Audio Input	4 Channel
	Audio Output	1 channel
	Compression	G.726
Alarm	Input	4 channels
	Output	1 channel
Storage		Up to 256GB, 128GB for each
Communication Port		1CH RS232 / 1 channel RS485
G-sensor		Built in, support 3 Axis Motion Detection with user set ranges , for X,Y and Z coordinates