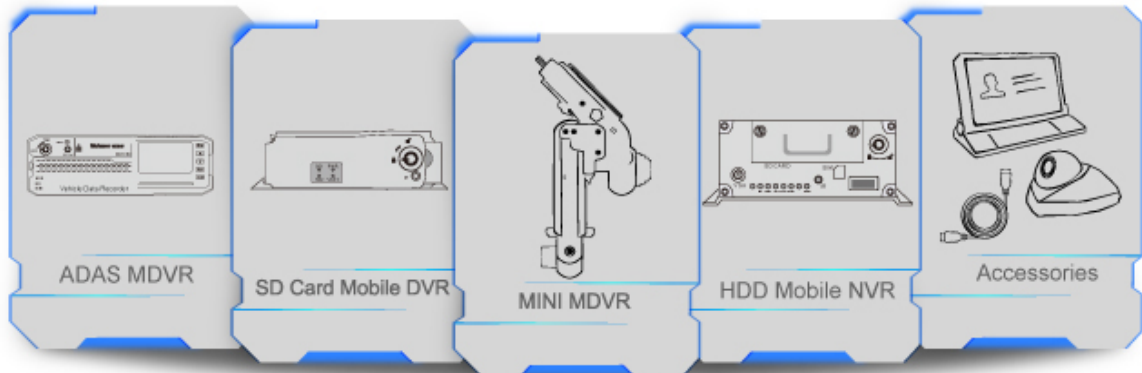






**Richmor**

Shenzhen Richmor Technology Development CO.,Ltd is a global and professional MDVR/MNVR manufacturer and solution provider specializing in vehicle monitoring system design and deployment for over 10 years



# Richmor High Quality 4CH 720P AHD HD Dual SD Card Vehicle Mobile DVR

## PRODUCT DESCRIPTION

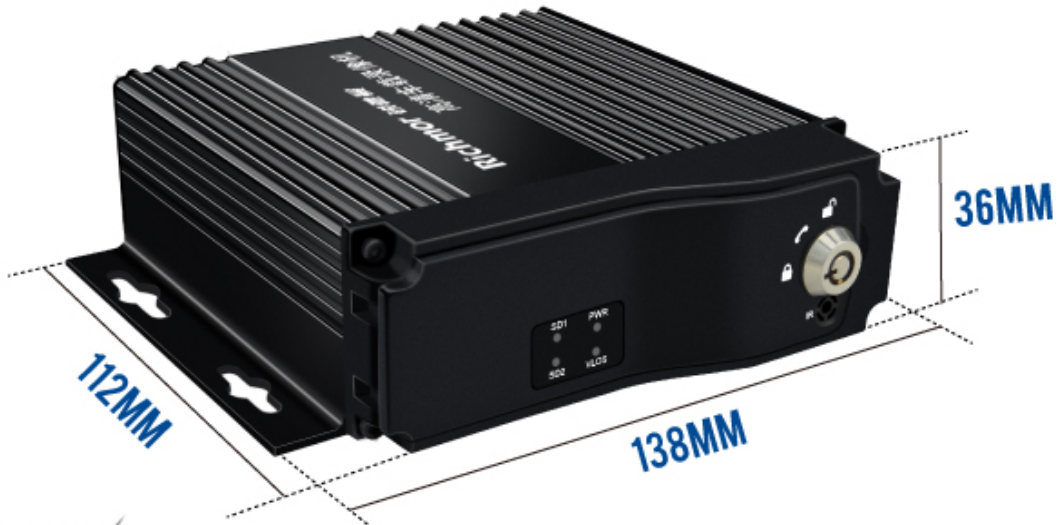
Resolution	4CH 720P AHD Full real-time recording
Moduel	G-Sensor built in, GPS /3G/4G /WIFI (5.8G or 2.4G )Optional
Storage	Support 2X SD cards storage, up to 128GB for each
Alarm I/O	4CH Alarm input,1CH Alarm output
ACC Delay	10 seconds delay pow-off for data protection
Voltage	8V-36V Wide range voltage power supply

# PRODUCT SHOW

Product's Front Side

Display

Military Design/ Good Stability/Durable /Shockproof & Earthquake Resistant



Product's Back Side

Display

Wide Voltage Design / Data Comprehensive Protection / High Security

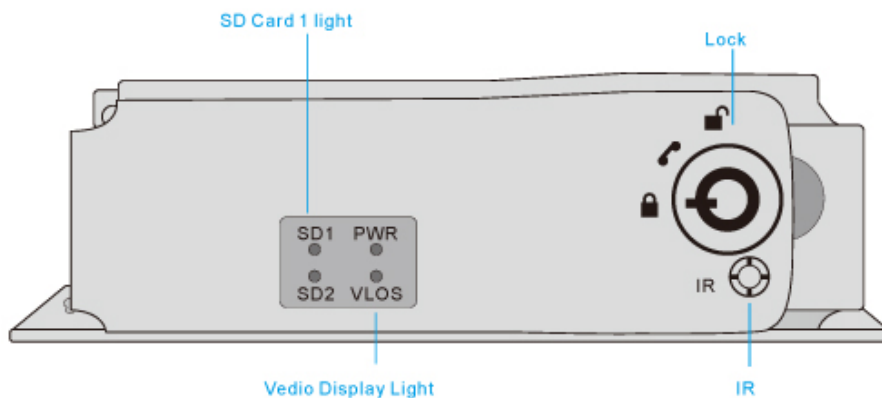


# STRUCTURE

## Front Panel

### Details

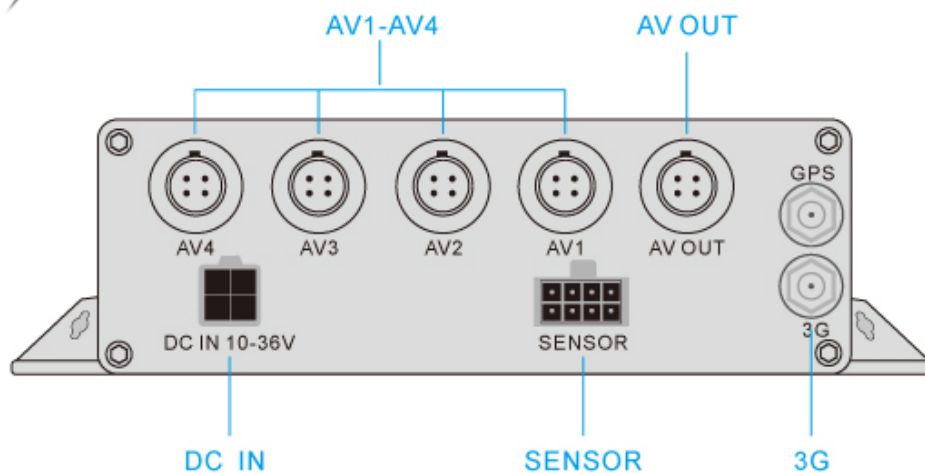
Professional Security Device/Powerful Functions/ User-friendly Button Operation/ Easy to Use



## Back Panel

### Details

Aviation AV&DV Input / Steady Port/ Strong Shockproof Ability/ Simple & Convenient



# DETAILED SPECS

Detailed specification was listed as follows for checking, please contact us we'll do our best to cooperate.

Item	Parameter
OS	Linux
Language	Chinese/English/Others(can be customized)
Video Compression	H.264
Operation Interface	OSD menu

Video Record System	Video Input	Support 4 channels Full real-time AHD 720P
	Video Output	1 channel composite video output
	Display	1/2/4 channels full screen
	Signal system	PAL/NTSC (PAL @100Frame, NTSC@120 Frame)
	Resolution	Support 4 channels Full real-time AHD 720P
	Record Format	Synchronized A/V recording
Audio	Audio Input	4 Channel
	Audio Output	1 channel
	Compression	G.726
Alarm	Input	4 channels
	Output	1 channel
Storage		Up to 256GB, 128GB for each
Communication Port		1CH RS232 / 1 channel RS485
G-sensor		Built in, support 3 Axis Motion Detection with user set ranges , for X,Y and Z coordinates